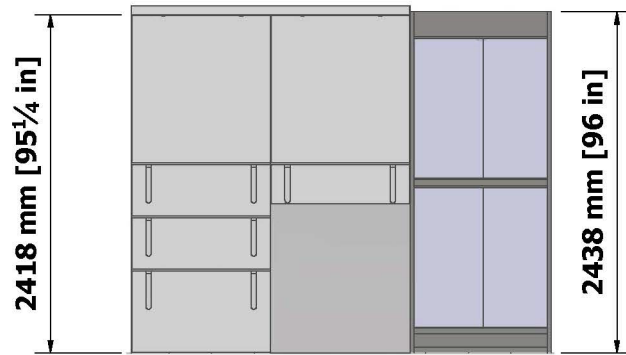
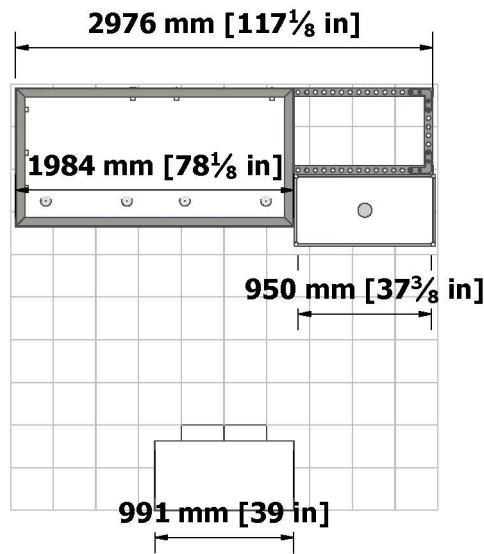


SHOWCASE 10 X 10

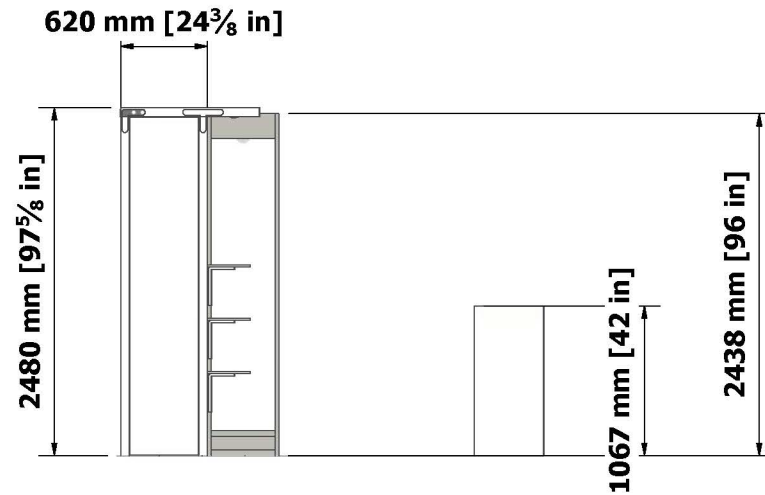
All concepts and designs by The Expo Group are protected under current Federal Copyright Laws. Unauthorized use or reproduction without the written consent of The Expo Group is forbidden.



FRONT VIEW

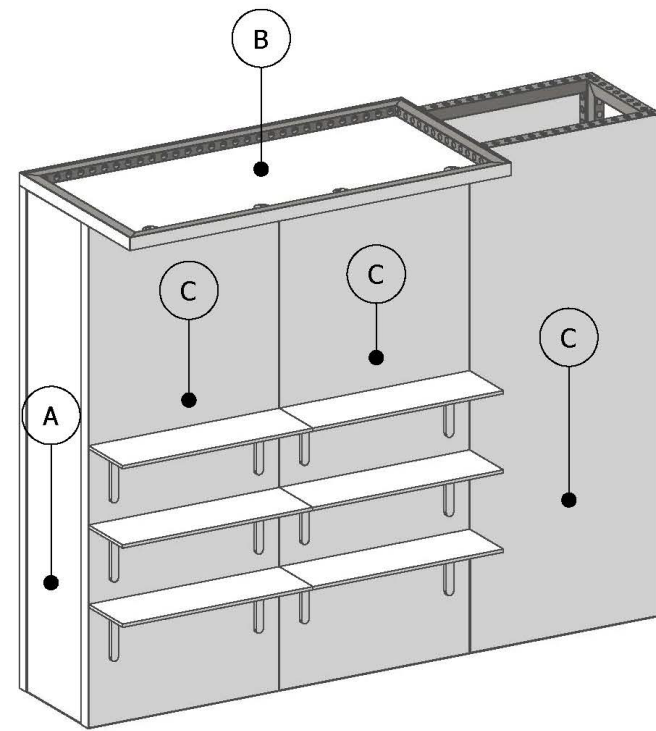
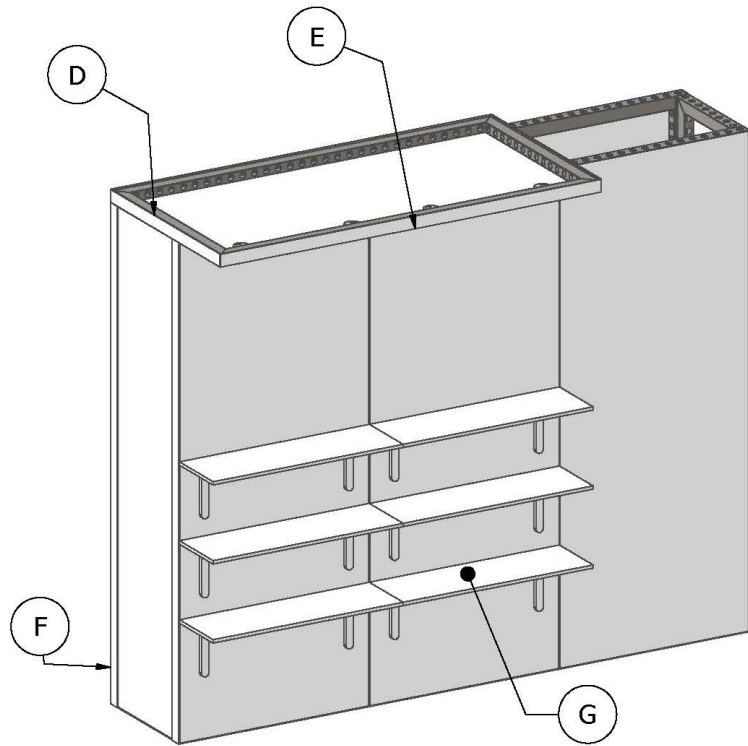


TOP VIEW



SIDE VIEW

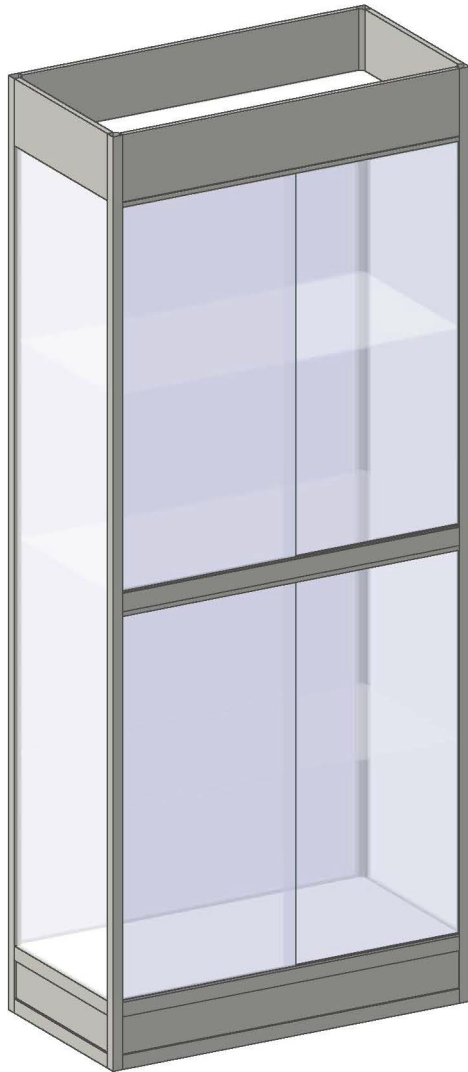
SHOWCASE 10 X 10



PANEL LIST			
ITEM	QTY	ARTICLE	DESCRIPTION
A	2	Panel for 0496 2418 Frame	19-5/16" x 94-15/16" [0490 X 2412MM]
B	1	Panel for 0992 1984 Frame	38-13/16" x 77-7/8" [0986 X 1978MM]
C	6	Panel for 0992 2418 Frame	38-13/16" x 94-15/16" [986 x 2412MM]
D	2	Panel Strip for 0992 Frame	2-7/16" x 39-1/16"
E	1	Panel Strip for 1984 Frame	2-7/16" x 78-1/8"
F	4	Panel Strip for 2418 Frame	2-7/16" x 95-3/16"
G	6	Shlef 12 x 39	

SHOWCASE 10 X 10

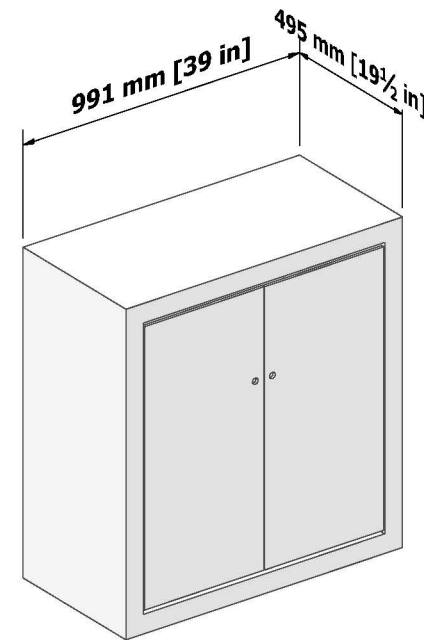
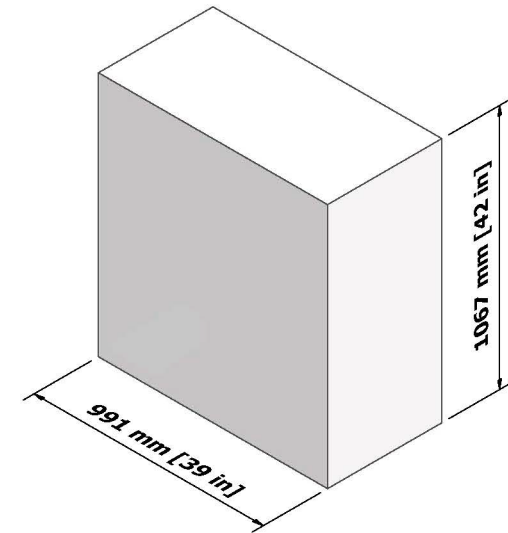
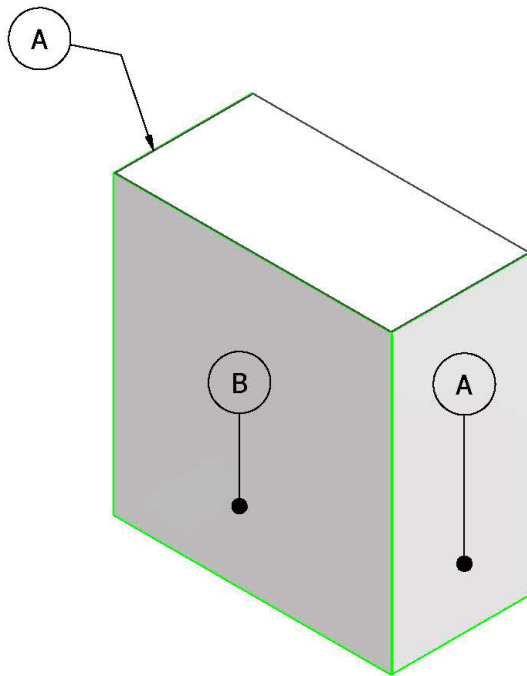
All concepts and designs by The Expo Group are protected under current Federal Copyright Laws. Unauthorized use or reproduction without the written consent of The Expo Group is forbidden.



PARTS LIST

ITEM	QTY	ARTICLE	DESCRIPTION
1	1	ACC18	

SHOWCASE 10 X 10



PANEL LIST			
ITEM	QTY	ARTICLE	DESCRIPTION
A	2	3mm Panel For Asset Counter [495 x 1067mm]	19-1/2" x 42"
B	1	3mm Panel For Asset Counter [997 x 1067mm]	39-1/4" x 42"

SHOWCASE 10 X 10